

SANITARY ELECTROMAGNETIC FLOW METER



DASTEC
URUGUAY

Representantes / Distribuidores Autorizados

🇺🇾 Dastec Uruguay S.R.L.
Tel: (+59 8) 2400 4046
Email: info@dastecsrl.com.uy
Web: www.dastecsrl.com.uy

DASTEC
PARAGUAY

Representantes / Distribuidores Autorizados

🇵🇾 Dastec S.R.L. Paraguay
Tel: (+595 9) 8310 0799
Email: info@dastecsrl.com.py
Web: www.dastecsrl.com.py



New High-tech
Enterprise



CE



ATEX



ISO

APPLICATIONS

- Widely used in mineral water, soy sauce, beer, fruit juice, wine, milk, etc.



PRODUCT FEATURES

01.

Food Grade Certificate

Sanitary and Safe for Foods
Food Grade Material is Harmless to body

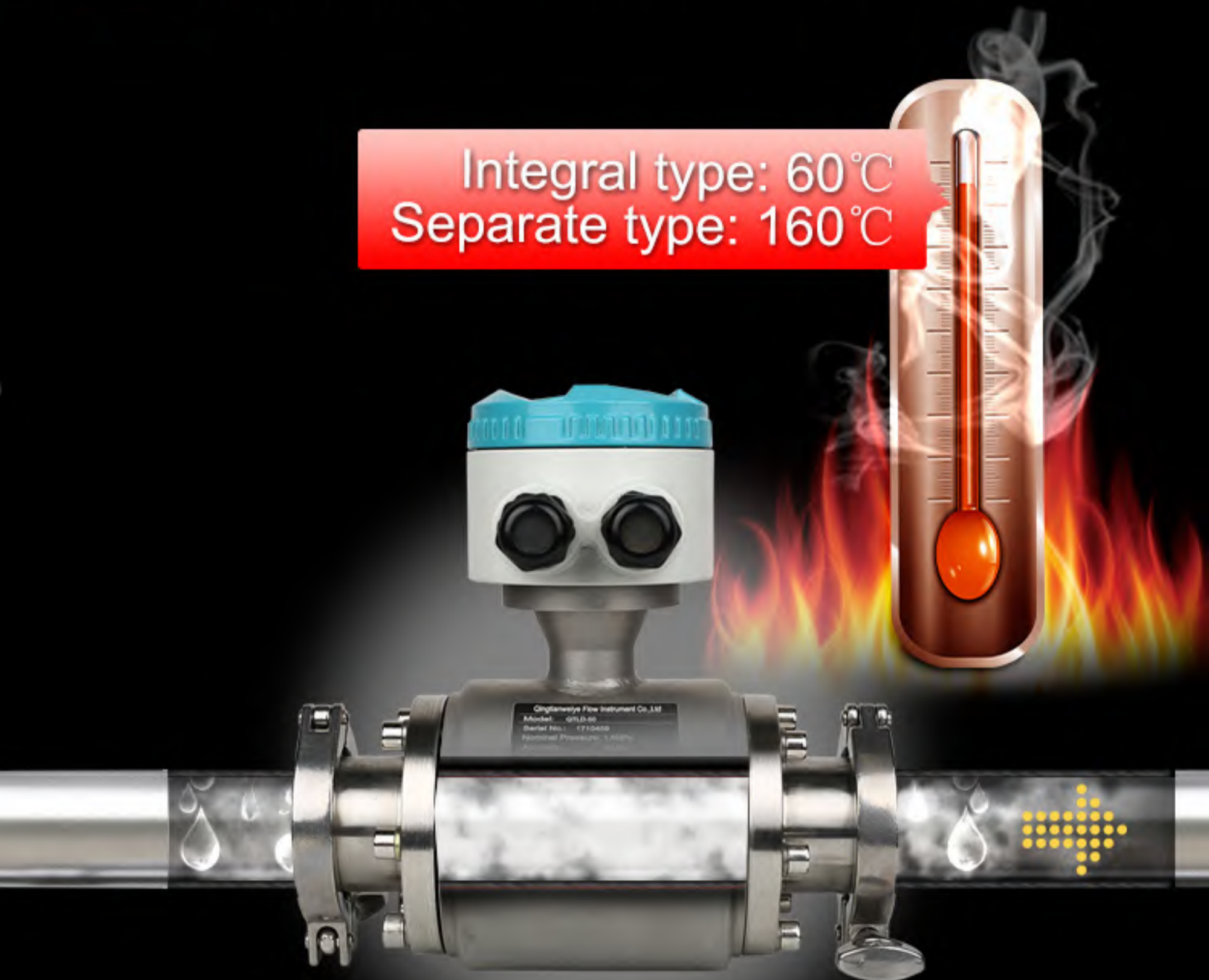


02.

High Temperature Resistance

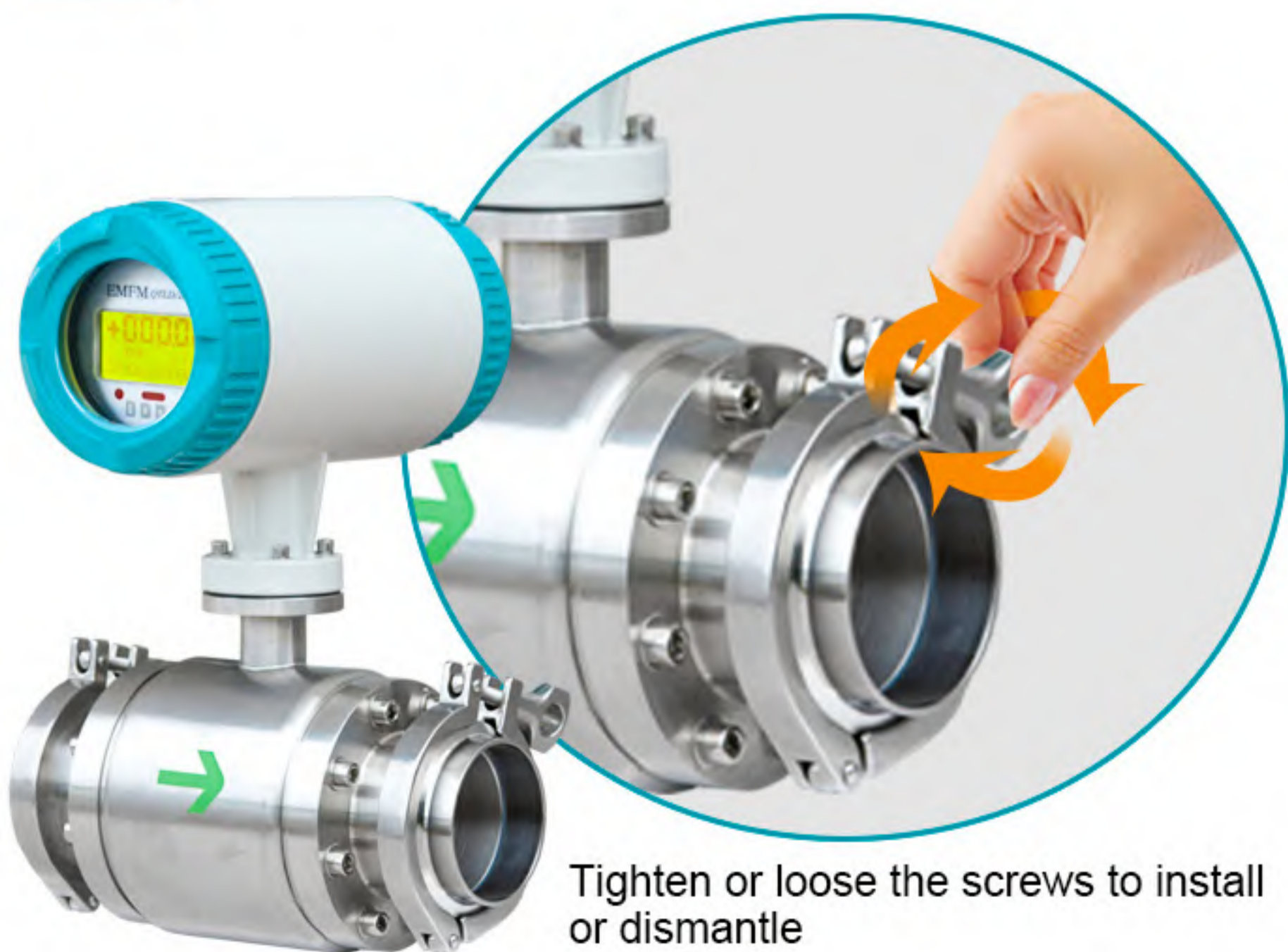
Food grade liner withstands high temperature steam disinfection

Integral type: 60°C
Separate type: 160°C



03.

Simple Structure Easy Installation



Tighten or loose the screws to install or dismantle

04.

LCD Display

English, Spanish, Italian(Optional)



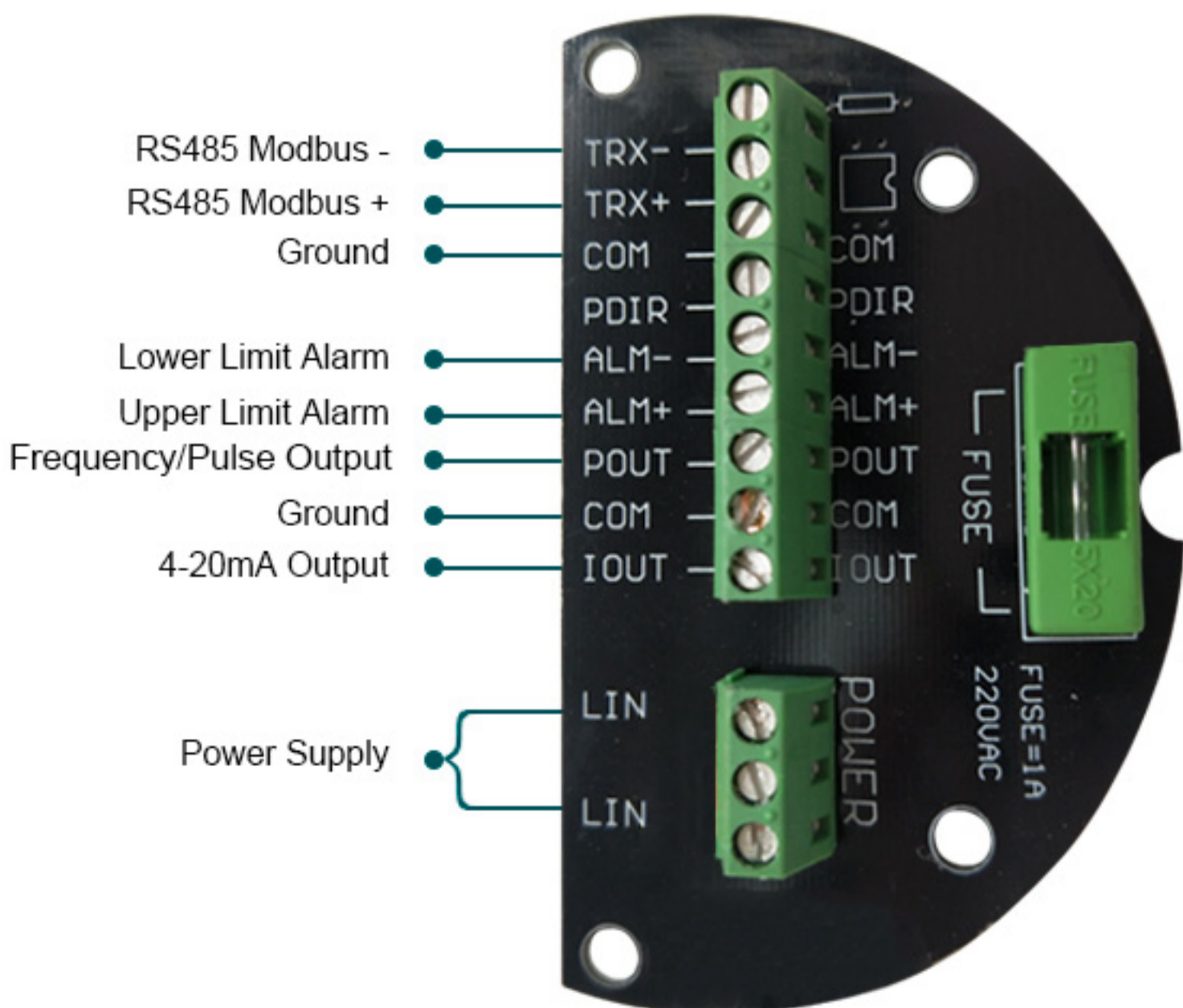
Instantaneous Flow

Flow Units(m³/h, L/m, etc)

- Flow Velocity(FLS)
- Flow Percentage (FQP)
- Ratio of Emptiness (MTP)
- Forward And Reverse Integated Volumes
- Difference Of Forward And Reverse Flow
- Alarm

05.

Multiple Outputs



06.

Self Diagnosis

Upper Alarm, Lower Alarm, Empty Pipe Alarm, System Alarm

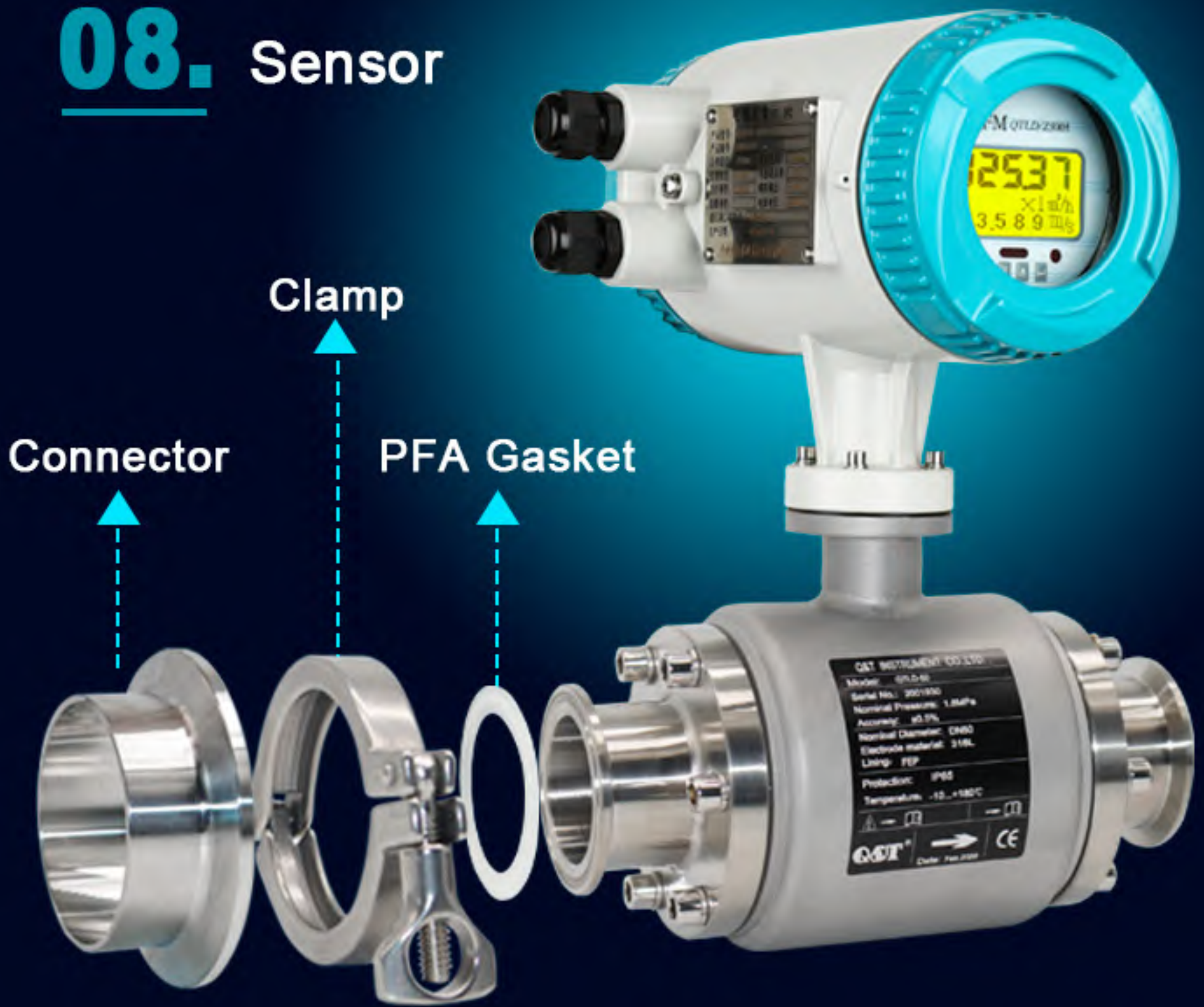


07.

Bi-Directional Measurement



08. Sensor



- Clamp standard: SMS, 3A+ etc
- SS304 material(SS316 is optional)
- Easy to connect with other connectors

09. Optional Functions

	Infrared Touch Screen		32G SD Card
	Temperature / Pressure Display		Solar Power Supply

Integrate and Separate Display



ENVIRONMENTAL TEST

High & Low Temperature Tests, Different Humidity Test ,
Make Sure Instruments Can Resist Any Harsh Environments



MORE PRODUCTS



CALIBRATION



DN15-50 Gravimetric & Standard Meter Liquid Flow Meter Calibration Device



DN65-DN300 Gravimetric & Standard Meter Liquid Flow Meter Calibration Device

CUSTOMER SERVICE



Online Service

2 Years Warranty

Goods can be returned or exchanged in case of quality problems

PARAMETER

Main Performances Parameters

Size	DN15-DN200mm
Nominal Pressure	1.6Mpa
Accuracy	+/-0.5%(Standard) +/-0.3%(Optional) or +/-0.2%(Optional)
Liner	FEP,PFA
Electrode	SUS316L, Hastelloy B, Hastelloy C Titanium, Tantalum, Platinum-iridium
Structure Type	Integral type, remote type, submersible type, ex-proof type
Medium Temperature	Integral type, -20~+60 degC(Integral type)
	Remote type(PFA/FEP) -10~+160degC
Ambient Temperature	-20~+60deg C
Ambient Humidity	5-90%RH(relative humidity)
Measuring Range	Max 15m/s
Conductivity	>5us/cm
Protection Class	IP65(Standard); IP68(Optional for remote type)
Output Signal	4-20mA pulse relay
Communication	MODBUS RTU RS485 HART(Optional),GPRS/GSM (Optional)
Power Supply	AC220V (can be used for AC85-250V)
	DC24V (can be used for DC20-36V)
	DC12V (optional), Battery Powered 3.6V (optional)
Power Consumption	<20W
Explosion Proof	ATEX ExdII T6Gb

Main Performances Of The Electrode Materials

Electrode Material	Application
SUS316L	Applicable to industrial/municipal water, wastewater and low corrosive mediums. Widely used in petroleum, chemical industries.
Hastelloy B	Strong resistance to hydrochloric acids below the boiling point. Resist against oxidable acids, alkali and non-oxidable salts. For instance, vitriol, phosphate, hydrofluoric acids, and organic acids.
Hastelloy C	Exceptional resistance to strong solutions of oxidizing salts and acids. For example, Fe ⁺⁺⁺ , Cu ⁺⁺ , Nitric acids, mixed acids
Titanium	Titanium can withstand corrosive mediums such as seawater, chloride salt solutions, hypochlorite salts, oxidable acids(including fuming nitric acids), organic acids, and alkali. Not resistant to high purity reducing acids such as sulphuric acids, hydrochloric acids.
Tantalum	Highly resistant to corrosive mediums. Applicable to all chemical mediums except Hydrofluoric Acids, Oleum and Alkali.
Platinum-iridium	Applicable to all chemical mediums except for Ammonium salts and Fortis.

Velocity-Flow Range Table

Size (mm)	Flow Range & Velocity Table							
	0.1m/s	0.2m/s	0.5m/s	1m/s	4m/s	10m/s	12m/s	15m/s
15	0.064	0.127	0.318	0.636	2.543	6.359	7.630	9.538
20	0.113	0.226	0.565	1.130	4.522	11.304	13.56	16.956
25	0.177	0.353	0.883	1.766	7.065	17.663	21.2	26.494
32	0.289	0.579	1.447	2.894	11.575	28.938	34.73	43.407
40	0.452	0.904	2.261	4.522	18.086	45.216	54.26	67.824
50	0.707	1.413	3.533	7.065	28.260	70.650	84.78	105.98
65	1.19	2.39	5.97	11.94	47.76	119.40	143.3	179.10
80	1.81	3.62	9.04	18.09	72.35	180.86	217.0	271.30
100	2.83	5.65	14.13	28.26	113.04	282.60	339.1	423.90
125	4.42	8.83	22.08	44.16	176.63	441.56	529.9	662.34
150	6.36	12.72	31.79	63.59	254.34	635.85	763.0	953.78
200	11.3	22.61	56.52	113.04	452.16	1130.40	1356	1696

Recommended Velocity Range: 0.5m/s - 15m/s

Model Select

		selection								
QTLD		XXX	X	X	X	X	X	X	X	X
Caliber	DN15-DN200 3-digital code seeing caliber code table 13	1								
Nominal Pressure	1.6Mpa	1								
Connection mode	sanitary connection		1							
Liner material	FEP				1					
	PFA				2					
Electrode material	316L					1				
	Hastelloy B					2				
	Hastelloy C					3				
	Titanium					4				
	Platinum-iridium					5				
	Tantalum					6				
	Stainless steel covered with tungsten carbide					7				
Structure type	Integral type						1			
	Remote type						2			
	Remote type immerse						3			
	Integral type Ex-proof						4			
	Remote type Ex-proof						5			
Power	220VAC							E		
	24VDC							G		
output communication	Flow volume 4-20mADC/pulse								A	
	Flow volume 4-20mADC/RS232 communication								B	
	Flow volume 4-20mADC/RS485 communication								C	
	Flow volume HART output/with communication								D	
Converter figure	Square									A
	Circular									B

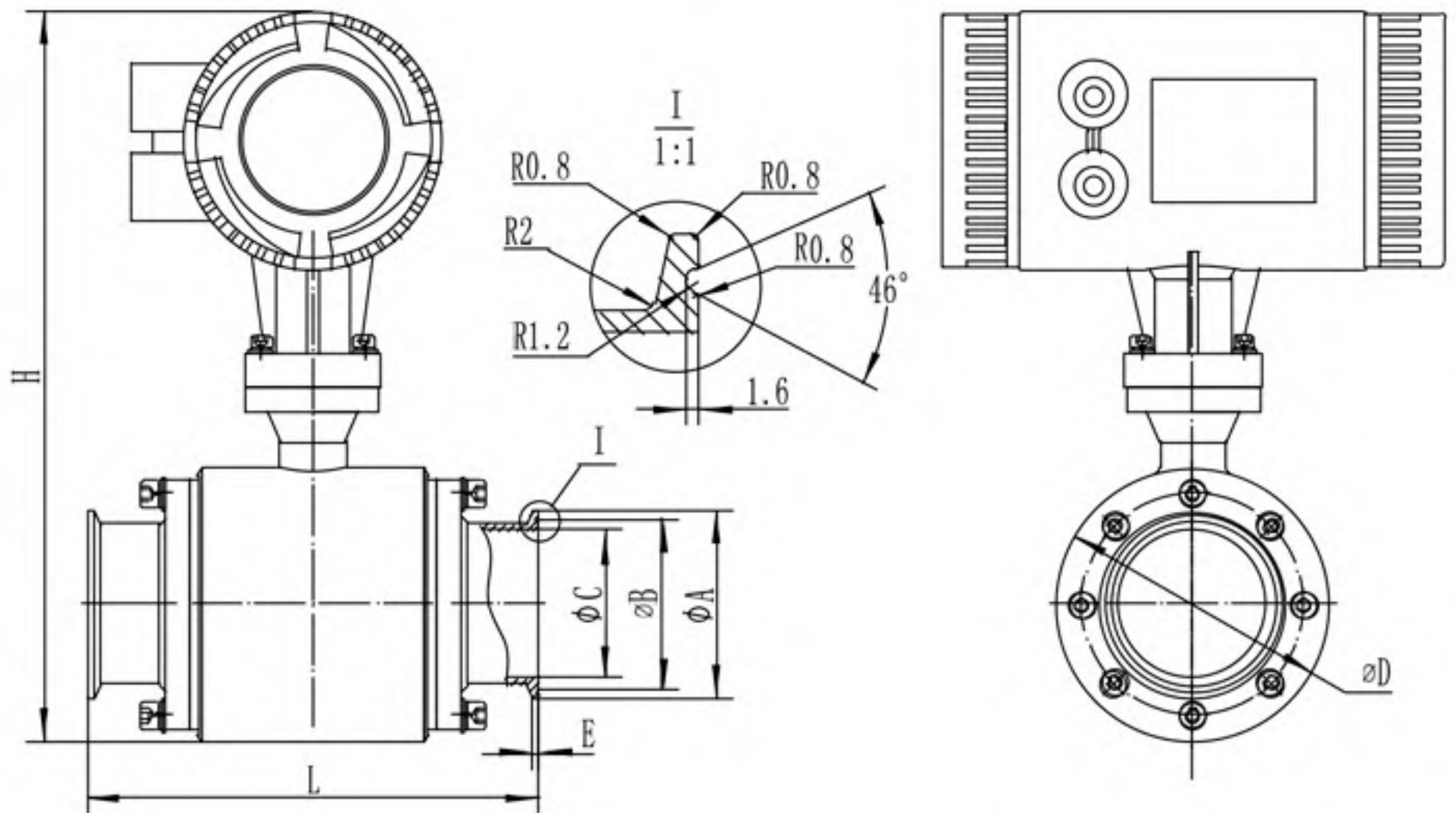
Optional Selection

X	
1	Grounding electrode
2	Coupled flange
3	Entrance protection flange
4	Scraper type electrode
5	Other

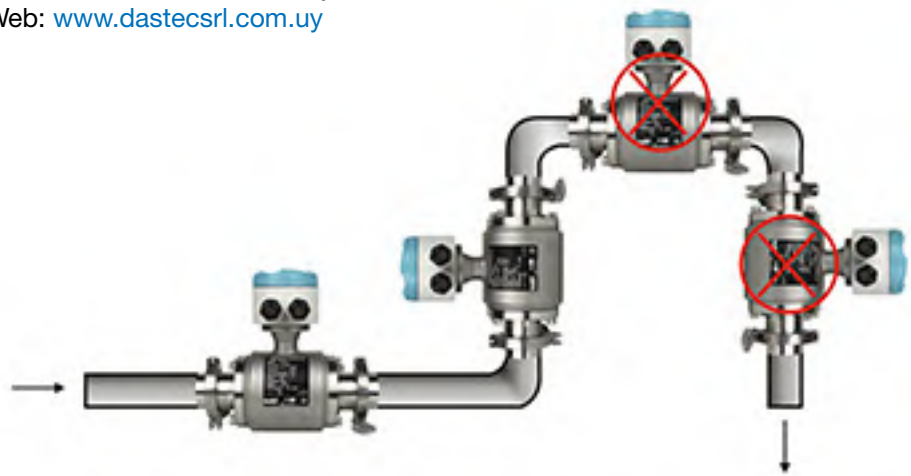
Table 13
Caliber Code Table

Caliber	Code
15	150
20	200
25	250
32	320
40	400
50	500
65	650
80	800
100	101
125	125
150	151
200	201

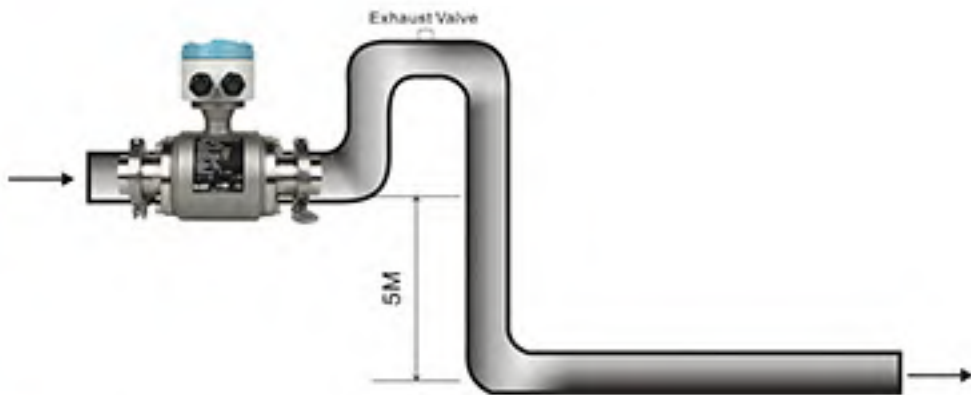
Dimension



Diameter	ϕA (mm)	ϕB (mm)	ϕC (mm)	ϕD (mm)	E(mm)	H(mm)	L(mm)
DN15	50.5	43.5	16	76	2.85	303	200
DN20	50.5	43.5	19	83	2.85	310	200
DN25	50.5	43.5	24	83	2.85	310	200
DN32	50.5	43.5	31	94	2.85	321	200
DN40	50.5	43.5	35	94	2.85	321	200
DN50	64	56.5	45	108	2.85	335	200
DN65	77.5	70.5	59	115	2.85	342	250
DN80	91	83.5	72	135	2.85	362	250
DN100	119	110	98	159	2.85	386	250
DN125	145	136	129	183	3.6	410	300
DN150	183	174	150	219	3.6	446	300
DN200	233.5	225	199	261	3.6	488	350



Install at the lowest point and vertical upward direction



When drop is more than 5m, install exhaust valve at the downstream



Install at the lowest point when used in open drain pipe



Need 10D of upstream and 5D of downstream



Don't install it at the entrance of pump, install it at the exit of pump



Install at the rising direction